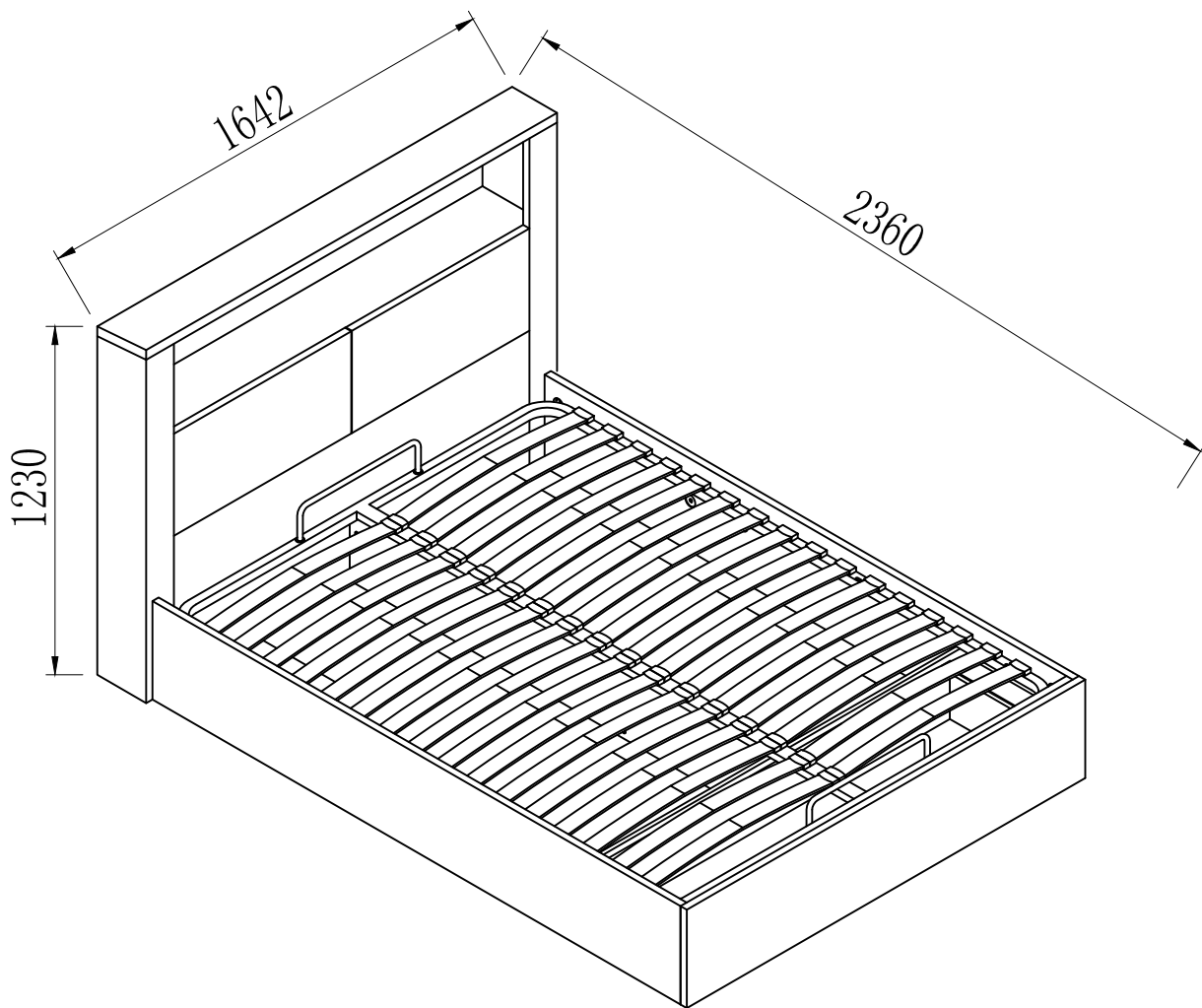




**ASSEMBLY INSTRUCTION
ARMOY QUEEN BED
ITEM CODE 85159**

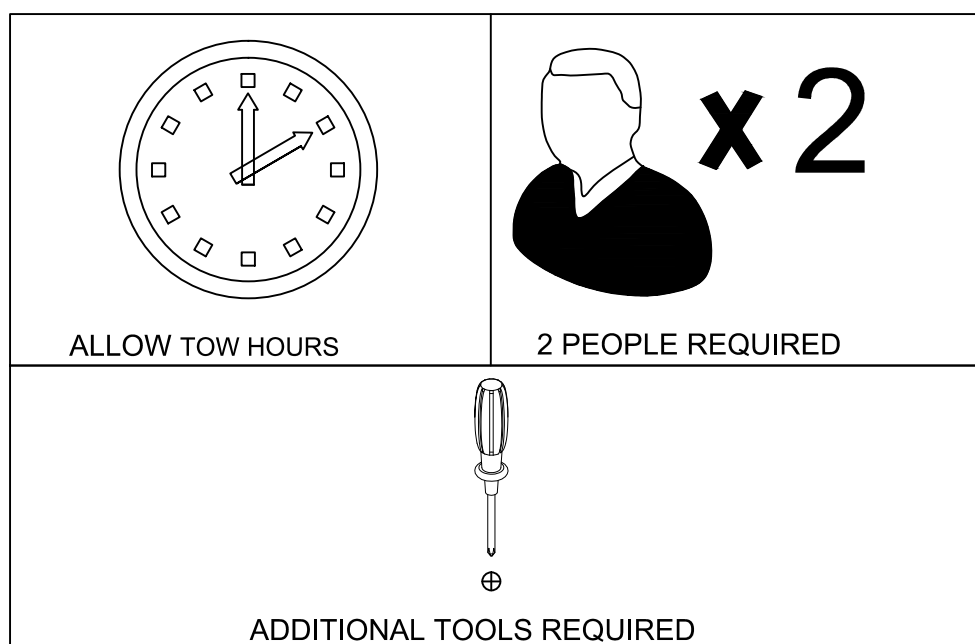


Imported by Amart Furniture Pty Ltd. Qld. Brisbane Australia.
For any assistance with assembly or for missing parts please phone Amart Furniture
Customer Service Free call 1800 351 084

PRE-ASSEMBLY PREPARATION

Before you start:

1. Choose a clean, level, spacious assembly area. Avoid hard surfaces that may damage the product
2. Take care when lifting. Product should be assembled as near as possible to the point of use
3. Ensure that you have all required contents for complete assembly.
4. Always read the assembly instructions carefully before beginning assembly.
5. Keep all hardware parts and packaging out of reach of small children.
6. Do not over tighten the screws and bolts as this may damage the threads



WARNING



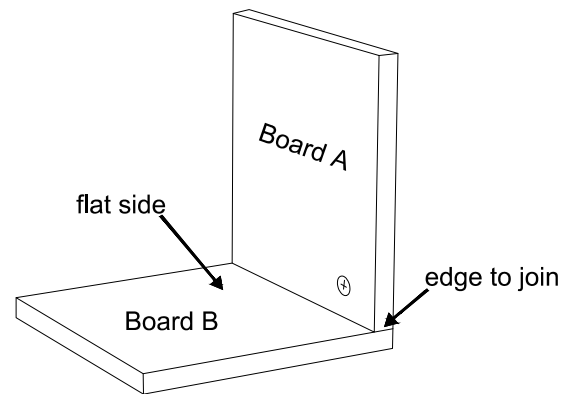
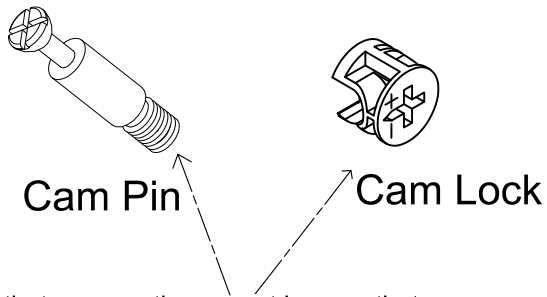
Do not allow children to play on this mechanised furniture or operate the mechanism. Ensure that the mattress and lift mechanism has been returned to the lowered position before lying or sitting on the mattress. Always ensure that your body is clear of the lift mechanism when lifting and lowering the mechanism

CAM Lock and Pins

step 1

HOW TO USE CAM LOCK FASTENERS

To assemble this product hardware called Cam Lock Fasteners are used. The below is information on how these work. Cam Locks are fasteners used to join two boards together, usually the edge of one board(A) to the flat side of another board(B)



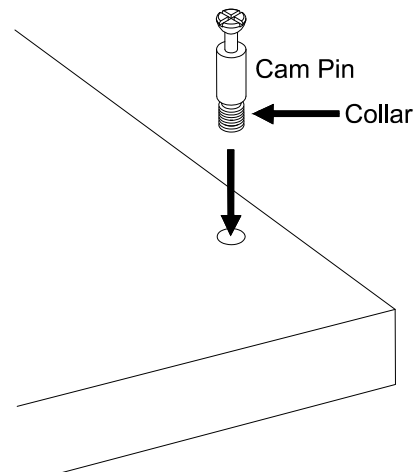
Ensure that you use the correct images that are representative of the hardware used in the product

step 2

To use Cam Lock Fasteners

The Cam Pin is inserted into the flat side of a board, it is important that:

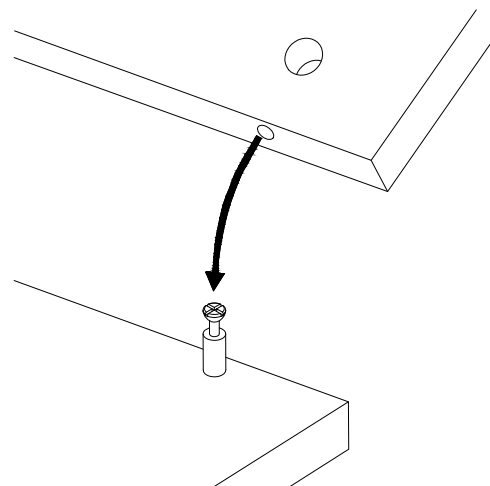
- * The cam pin is kept vertical and is not put in on an angle
- * Cam Pin is inserted up to the collar
 - * Too far and it wont catch the Cam Lock (Do not Over Tighten)
 - * Not enough and the resulting product wont be stable



step 3

To use Cam Lock Fasteners

Now fit the hole in the edge of the joining board over the Cam Pin

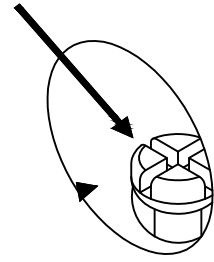


step 4

To use Cam Lock Fasteners

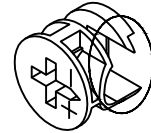
The Head of the Cam Pin will be visible in the large hole on the side of the joining board

head of the Cam Pin



To use Cam Lock Fasteners

Notice the Cam Lock has a "C" Shaped back An Arrow or +/- signs on the front, indicated the open section on the back of the Cam Pin



Cam Lock

step 5

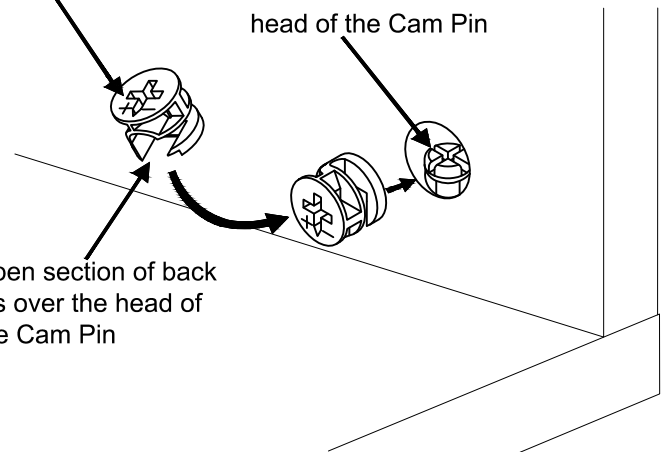
To use Cam Lock Fasteners

In sert the Cam Lock into the large hole so the opening of the "C" fits over the head of the Cam Pin. You must ensure that the Cam Lock is pushed to the bottom of the hole to catch the top of the Cam Pin

Arrow or +/- signs

head of the Cam Pin

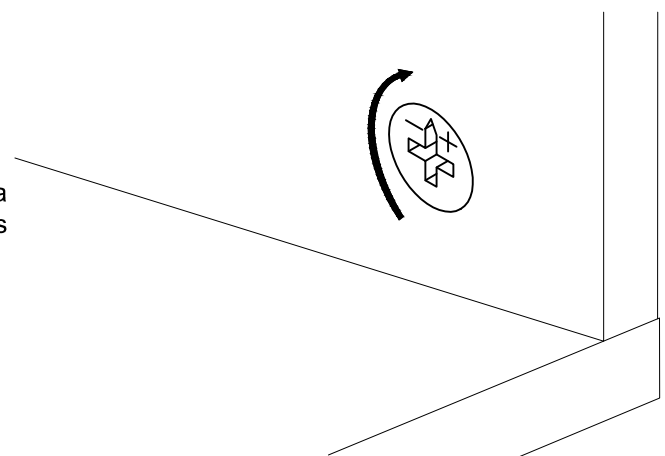
Open section of back fits over the head of the Cam Pin



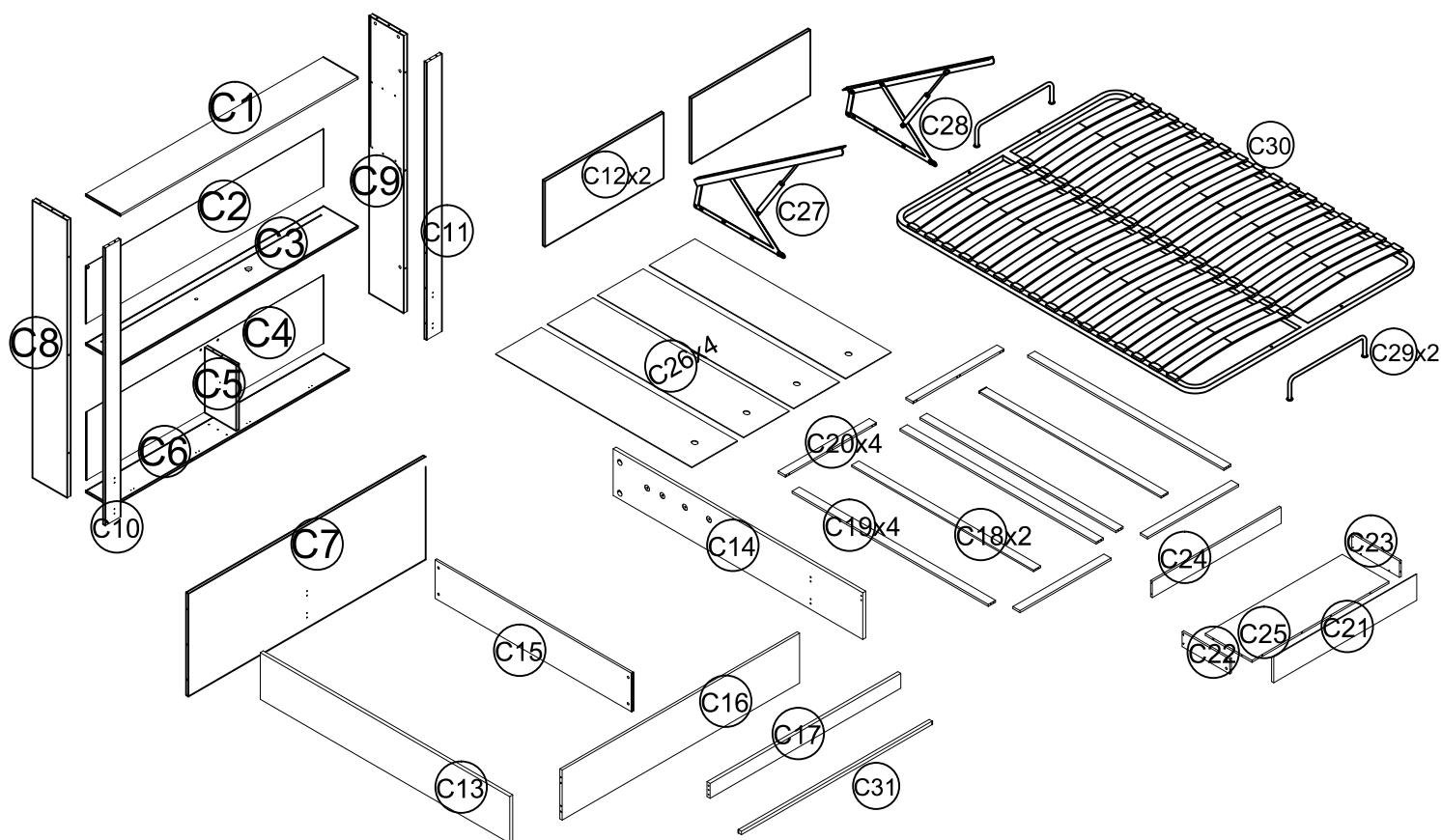
step 6

To use Cam Lock Fasteners

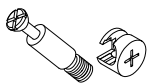
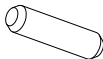
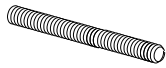

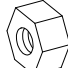


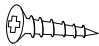


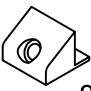
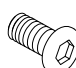
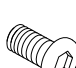
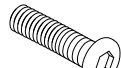
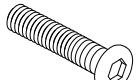
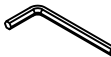
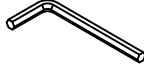






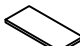
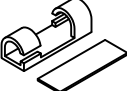

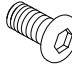
Use a flat screwdriver to turn the Cam Lock clockwise one half a turn so it Locks onto the head of the Cam Pin. Turn only until it is snug-over-tightening could cause the Cam to bend or break. If it will not turn the full amount, turn the Cam Pin out (counter-clockwise) one full turn, and try the Cam Lock again.



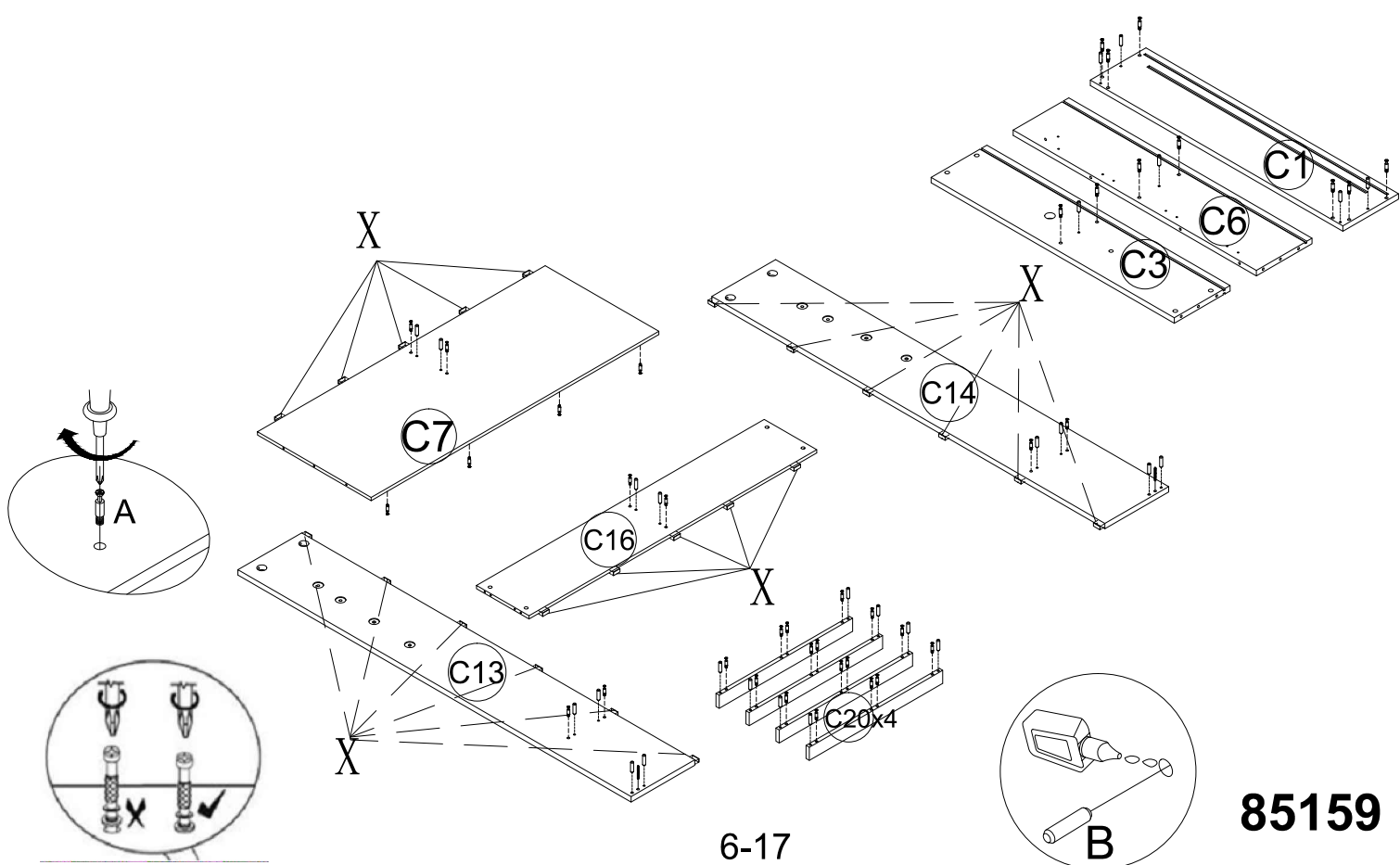
PARTS LIST



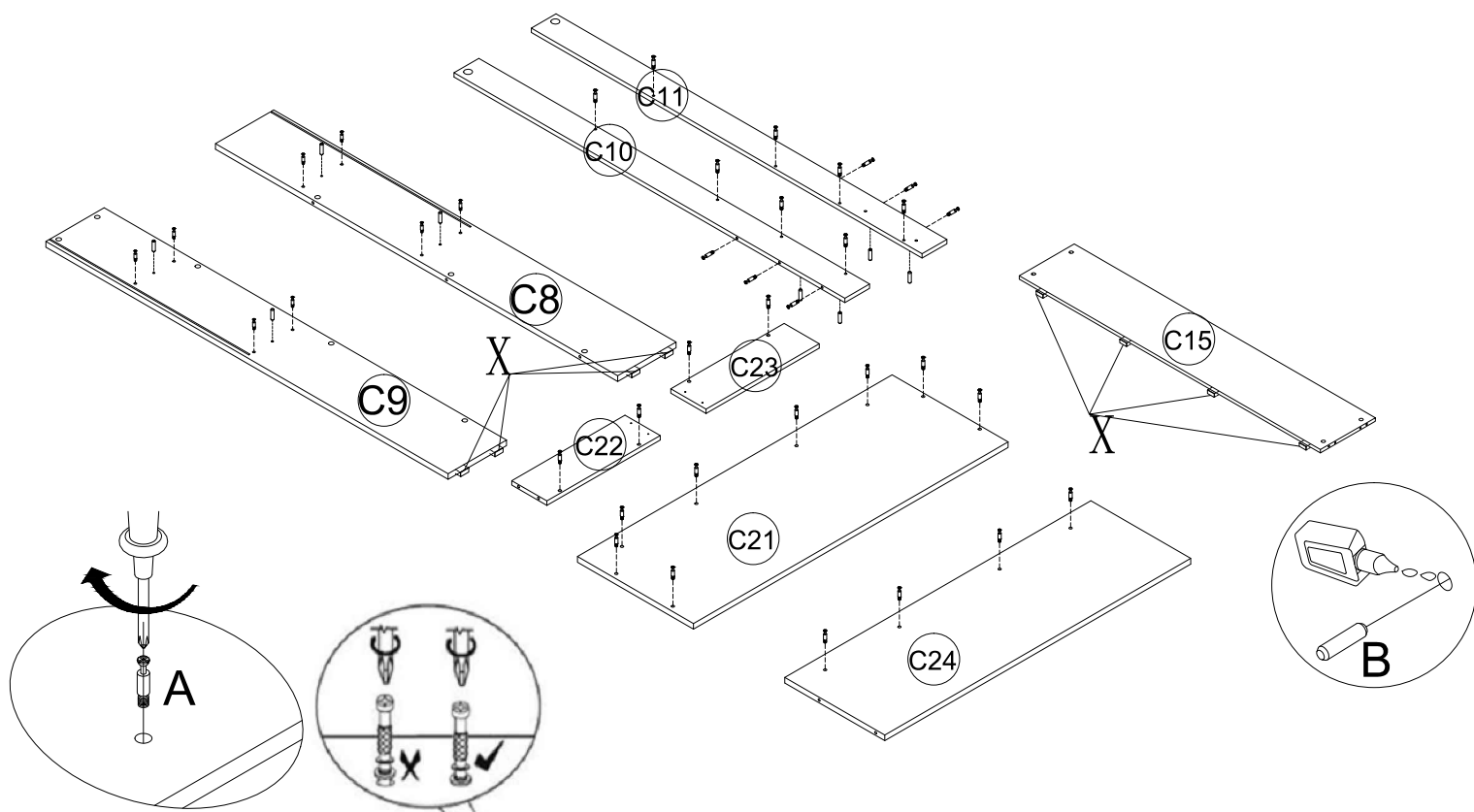
C1	Top Panel	C16	Support Panel
C2	Back Rail	C17	Footboard Panel
C3	Shelf Panel	C18x2	Bottom Rail
C4	Back Rail	C19x4	Bottom Rail
C5	Support Panel	C20x4	Bottom Rail
C6	Headboard Bottom Panel	C21	Drawer Front Panel
C7	Headboard Front Panel	C22	Drawer Leftside Panel
C8	Left side Panel	C23	Drawer Rightside Panel
C9	Right side Panel	C24	Drawer Back Panel
C10	Front Left Side Panel	C25	Drawer Bottom Panel
C11	Front Right Side Panel	C26x4	Bottom Panel
C12x2	Door Panel	C27	Gas Lift
C13	Left Side Rail	C28	Gas Lift
C14	Right Side Rail	C29x2	Handle
C15	Middle Support Panel	C30	Slat
		C31	Footboard Support Tube

<input type="checkbox"/> A.Cam lock and Cam pin Ø15X35  76PCS	<input type="checkbox"/> B.Dowel Ø8X30  34PCS	<input type="checkbox"/> C.Bolt M8x80  2PCS	<input type="checkbox"/> D.Half Round Nuts M8  6PCS	<input type="checkbox"/> E.Hexagonal Nuts M8  12PCS	<input type="checkbox"/> F.Cover Ø38  6PCS	<input type="checkbox"/> G.Wrench M14  1PCE
<input type="checkbox"/> H.Screw Ø3.5X16  42PCS	<input type="checkbox"/> I.Screw Ø3.5X30  4PCS	<input type="checkbox"/> J.Screw Ø3X18  8PCS	<input type="checkbox"/> K.Connector 18x16x10  8PCS	<input type="checkbox"/> L.Bolt M6x45  4PCS	<input type="checkbox"/> M.Bolt M8x20  8PCS	<input type="checkbox"/> N.Bolt M8x50  6PCS
<input type="checkbox"/> O.Bolt M8x80  4PCS	<input type="checkbox"/> P.Hex Key 4MM  1PCE	<input type="checkbox"/> Q.Hex Key 5MM  1PCE	<input type="checkbox"/> R.Washer M8  4PCS	<input type="checkbox"/> S.Wheel  5PCS	<input type="checkbox"/> T.Hinge  4PCS	<input type="checkbox"/> U. Hinge  2PCS
<input type="checkbox"/> V. Power Adapter  1PC	<input type="checkbox"/> W.Glue  1PCE	<input type="checkbox"/> X.Protect foam 20x14x5mm  30PCS	<input type="checkbox"/> Y.Clip&Sticker  4PCS	<input type="checkbox"/> Z.Led Button  1PC	<input type="checkbox"/> Z1.Bolt M6x30  4PCS	

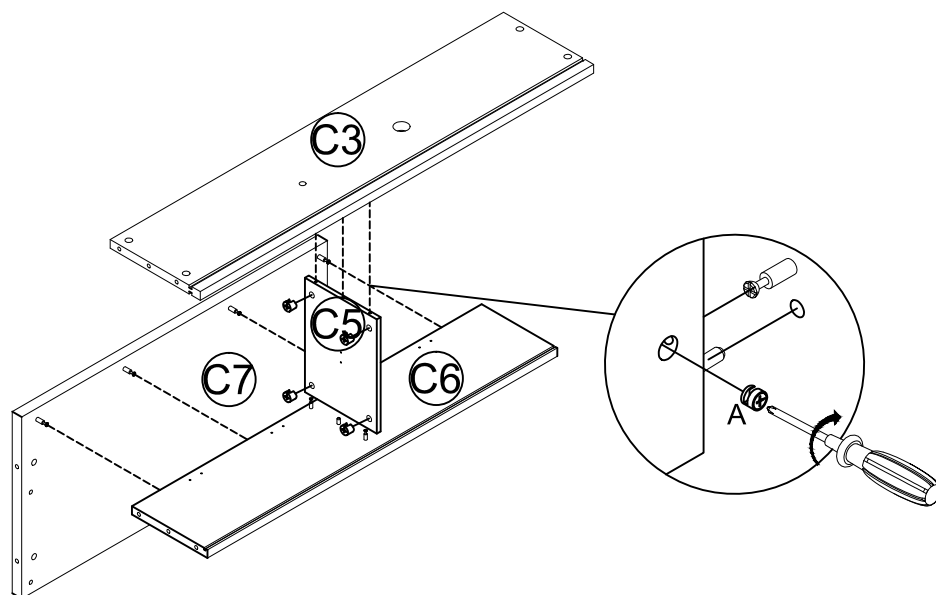
STEP 1: Use Phillips Head Screwdriver to attach Cam Pin(A) and Dowel(B) to Panel (C1,C6,C3,C14,C7,C13,C16,C20).Stick the Protect Foam(X) to the bottom of Panel(C7,C13,C14C16),Dowel with Glue(W).



Step 2: Use Phillips Head Screwdriver to attach Cam Pin(A) and Dowel(B) to Panel (C11,C10,C8,C9,C22,C23,C21,C24,C15).Stick the Protect Foam(X) to the bottom of Panel (C8,C9,C15).Dowel with Glue(W).

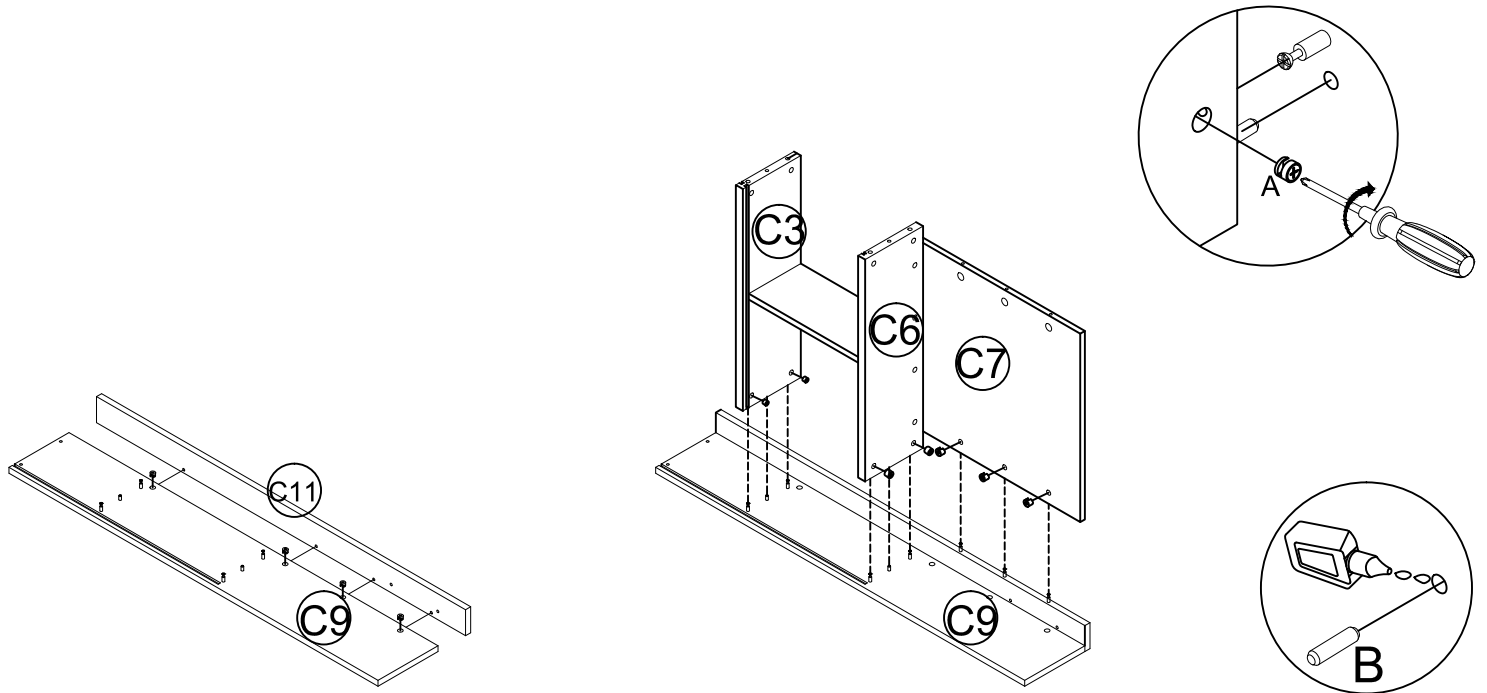


Step 3: Use Phillips Head Screwdriver to attach Panel(C5) to the Panel(C3,C6) with Cam Lock(A).attach Panel(C6) to the Panel(C7) with Cam Lock(A).

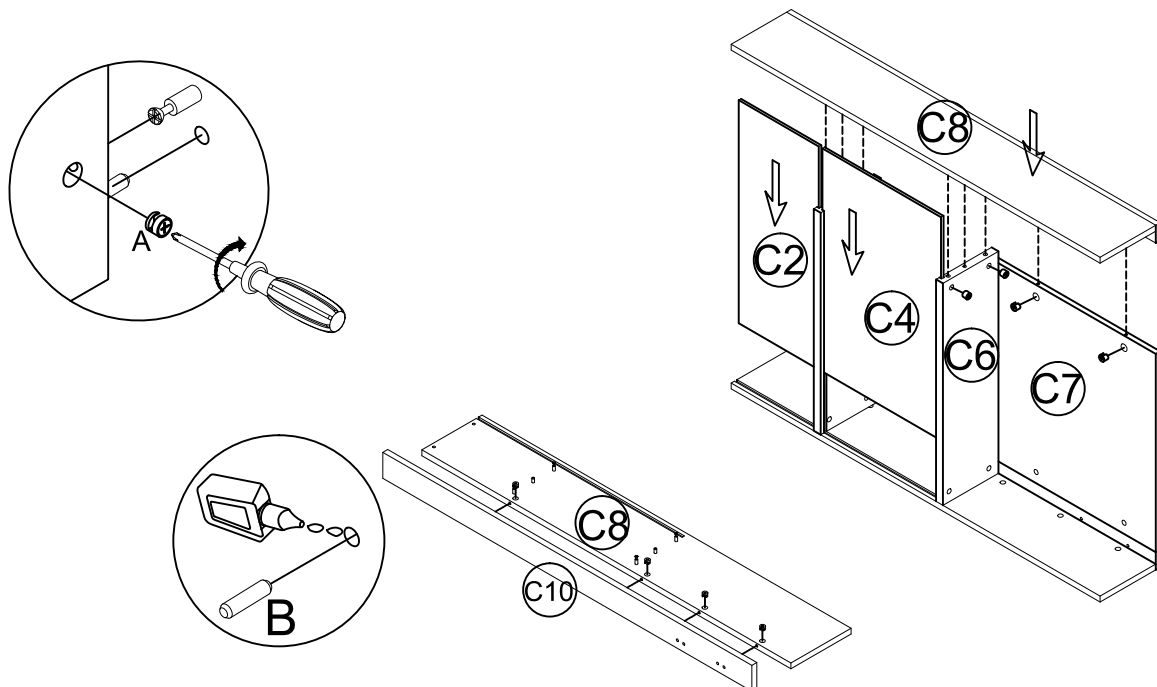


85159

Step 4: Use Phillips Head Screwdriver to attach Panel(C11) to the Panel(C9) with Cam Lock(A). attach Panel(C3,C6,C7) to the Panel (C9) with Cam Lock(A).Dowel with Glue(W).

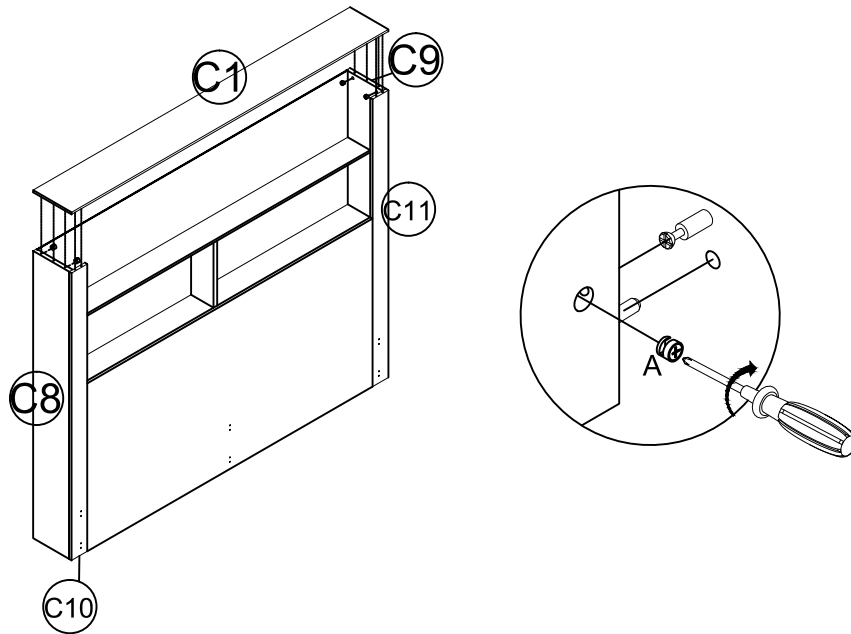


Step 5: Use Phillips Head Screwdriver to attach Panel(C10) to the Panel(C8) with Cam Lock(A). Insert the Back Panel(C2,C4) to the Groove,attach Panel(C3,C6,C7) to the Panel (C8) with Cam Lock(A).Dowel with Glue(W).

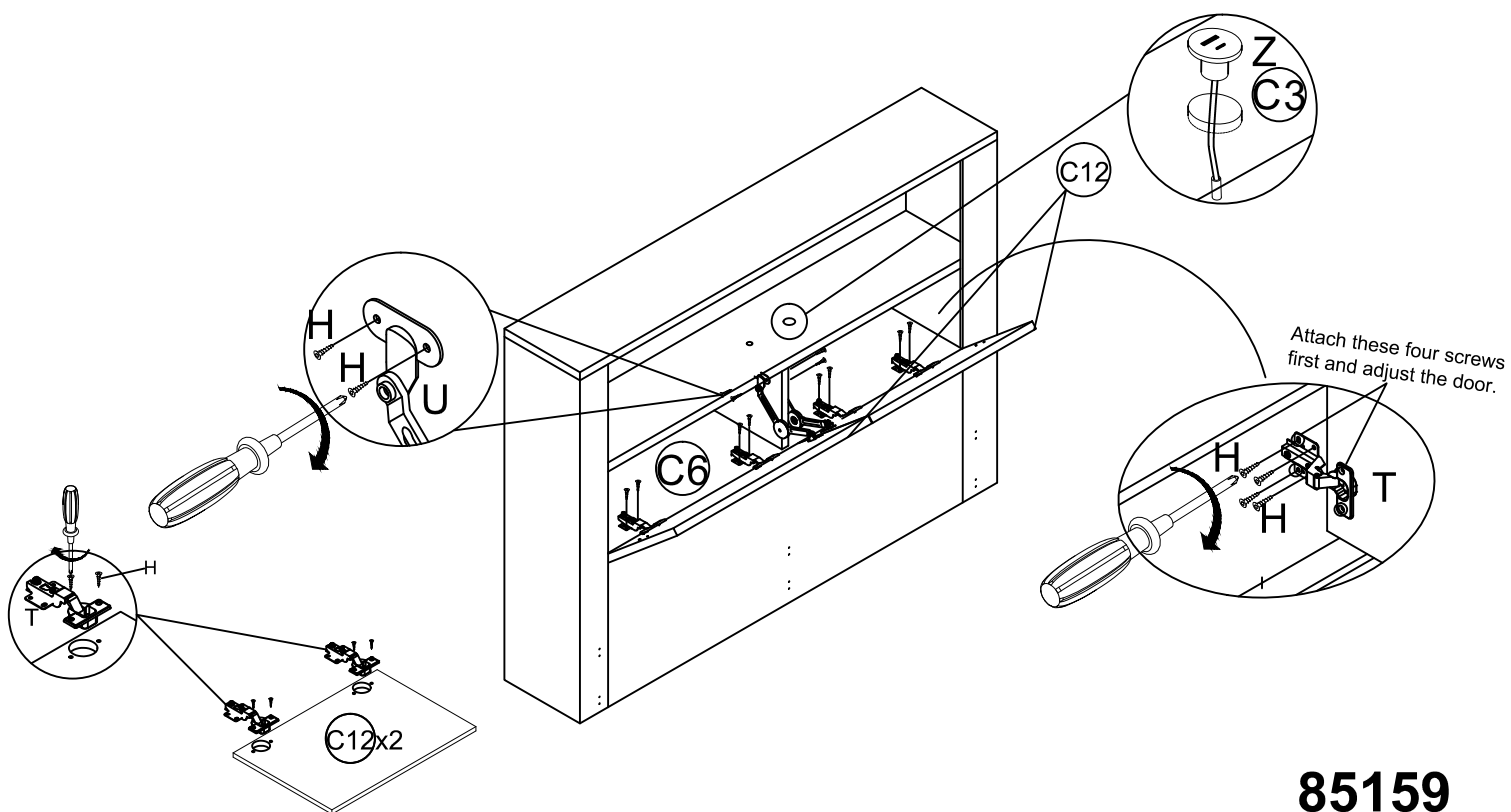


85159

Step 6: Use Phillips Head Screwdriver to attach Panel(C1) to the Panel(C8,C9,C10,C11) with Cam Lock(A).

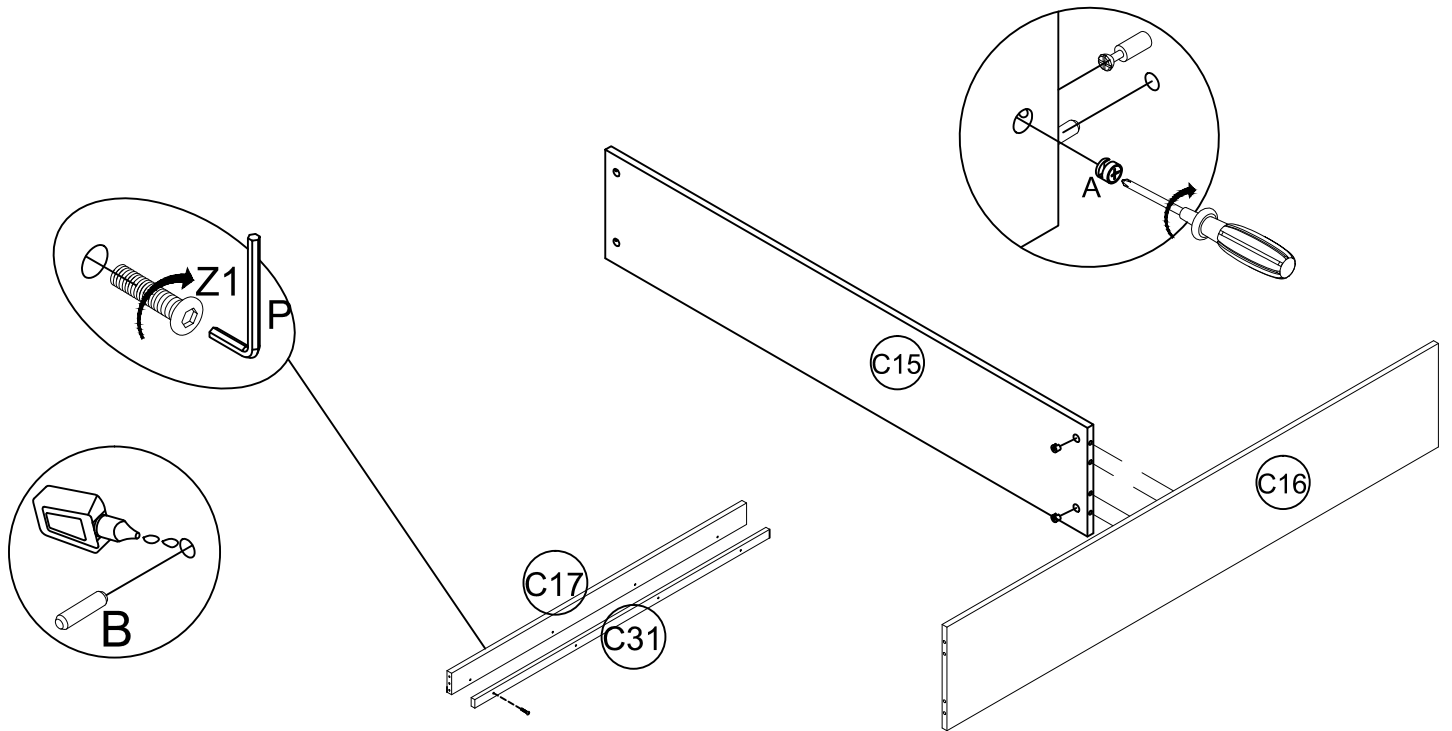


Step 7: Use Phillips Head Screwdriver to attach Hinge(T) to the Door Panel(C12) with Screw(H), attached the Door Panel(C12) to the Panel(C6) with Hinge(T) and Screw (H). attached the Hinge(U) to the Door Panel(C12) and Panel(C5) with Screw (H). Insert the Led Button(Z) to the Panel(C3).

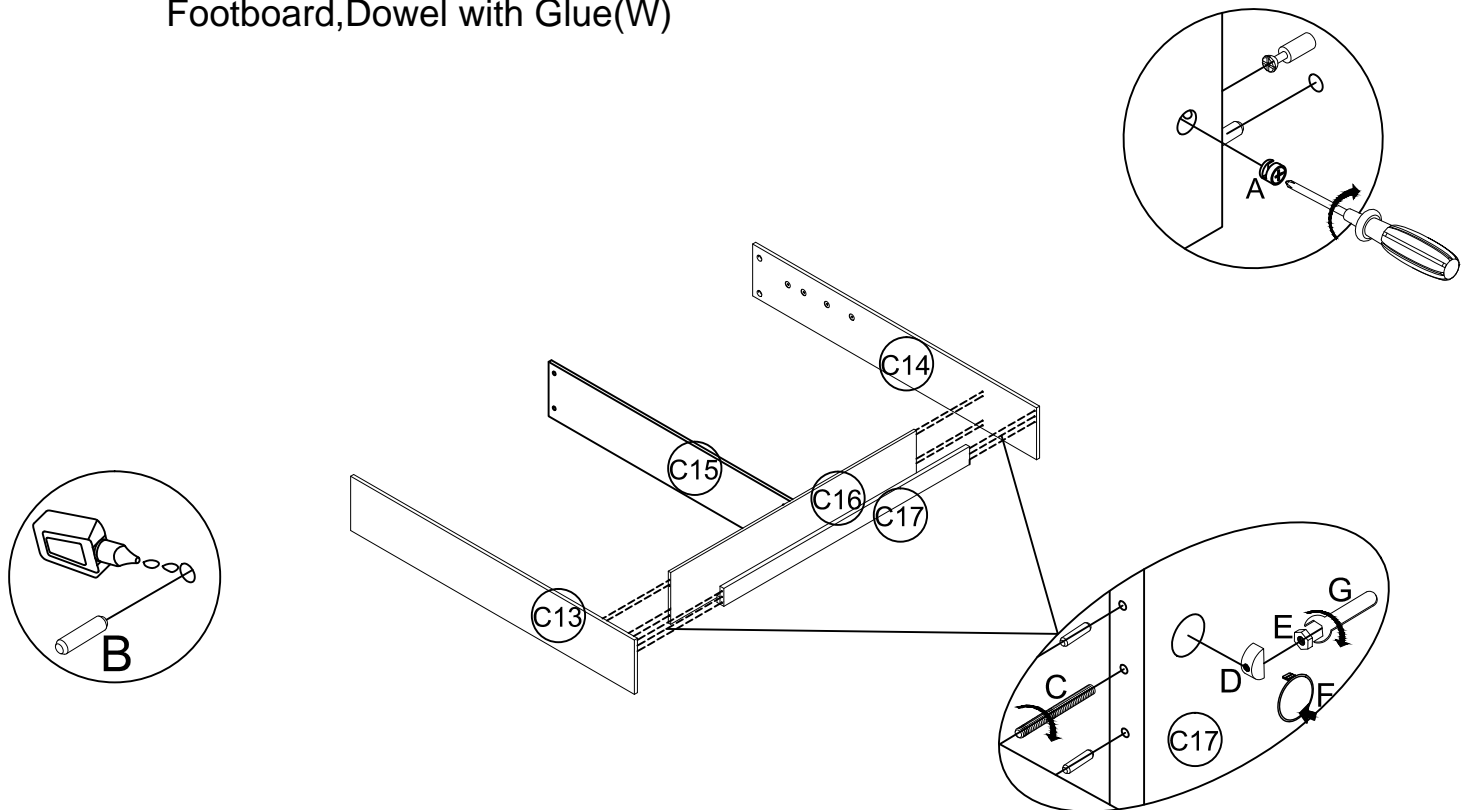


85159

Step 8: Use Hex Key (P) to attach Support Tube (C31) to the Panel (C17), Use Phillips Head Screwdriver to attach Panel (C15) to the Panel (C16) with Cam Lock (A). Dowel with Glue (W).

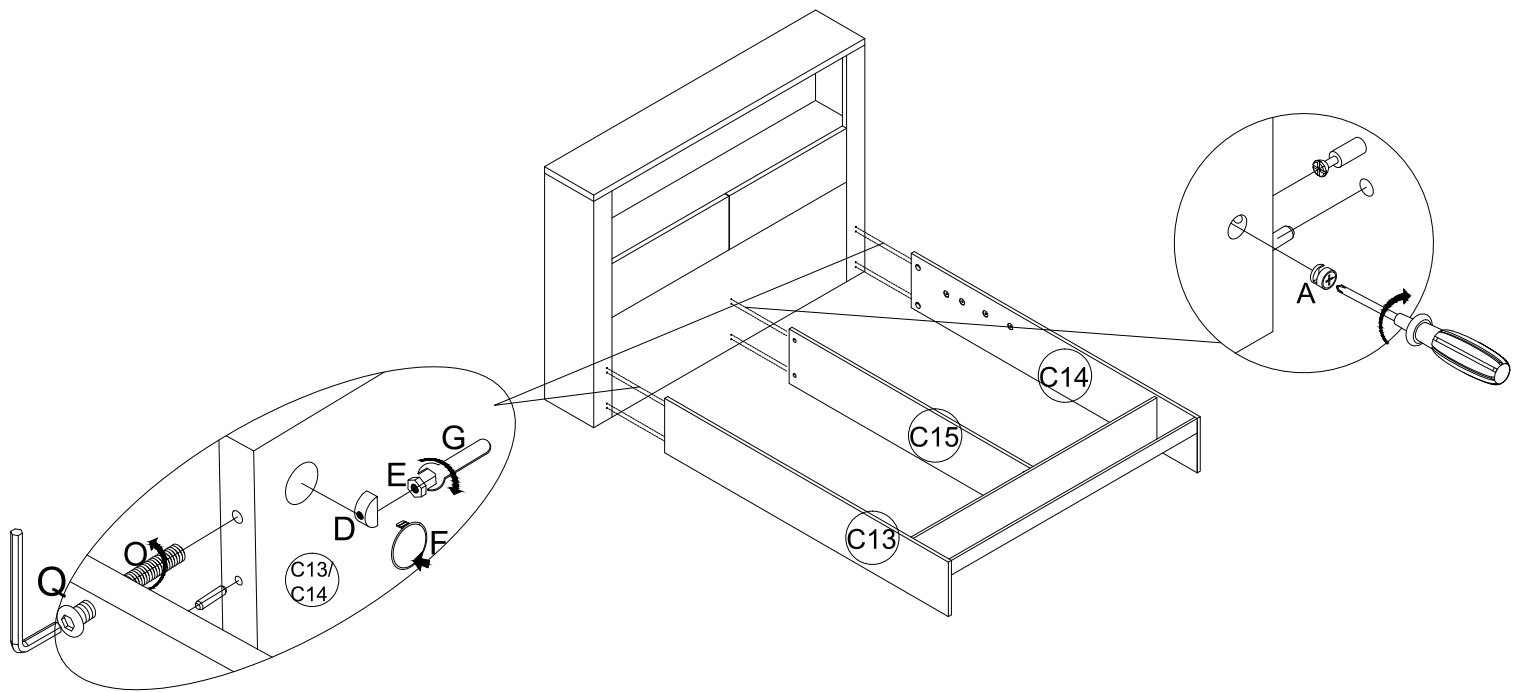


Step 9: Use Phillips Head Screwdriver to attach Panel (C16) to the Panel (C13, C14) with Cam Lock (A). Insert the Bolt (C) to the Side Rail (C13, C14), Use a Wrench (G) to assemble the Footboard panel (C17) to the Side Rail (C13, C14) with Hard Round Nuts (D) and Hexagonal Nuts (E), Cover the Cap (F) to the Hole of Footboard, Dowel with Glue (W)

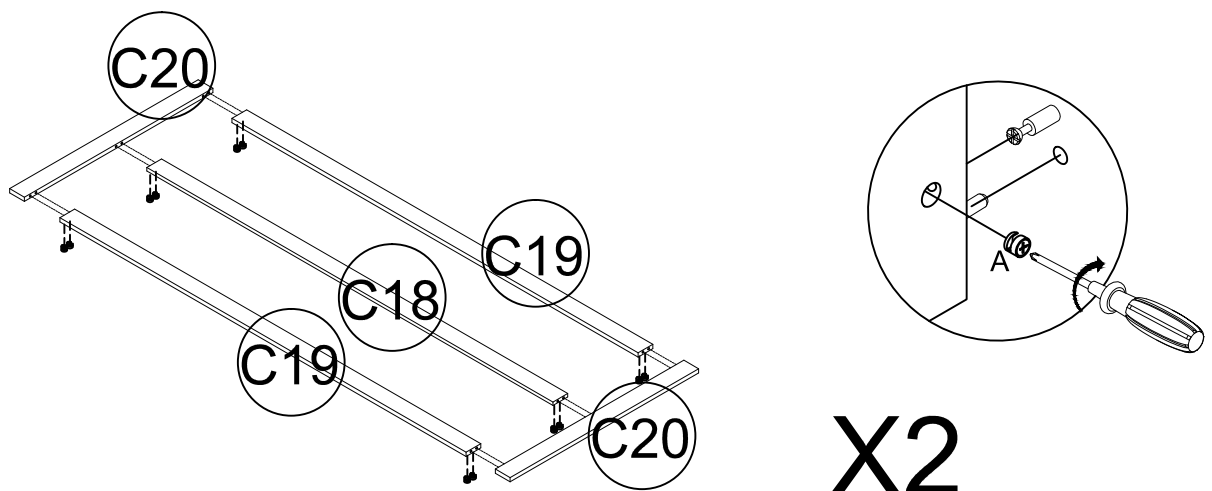


85159

Step 10: Use a Wrench(G) and Hex Key(Q) to assemble the Side Rail(C13,C14) to the Headboard Panel(C10,C11) with Bolt(O) and Half Round Nuts(D) and Hexagonal Nuts(E),insert the Cap(F) to the hole.Use Phillis Head Screwdrive to assemble the Panel(C15) to the Headboard Panel(C7) with Cam Lock(A).

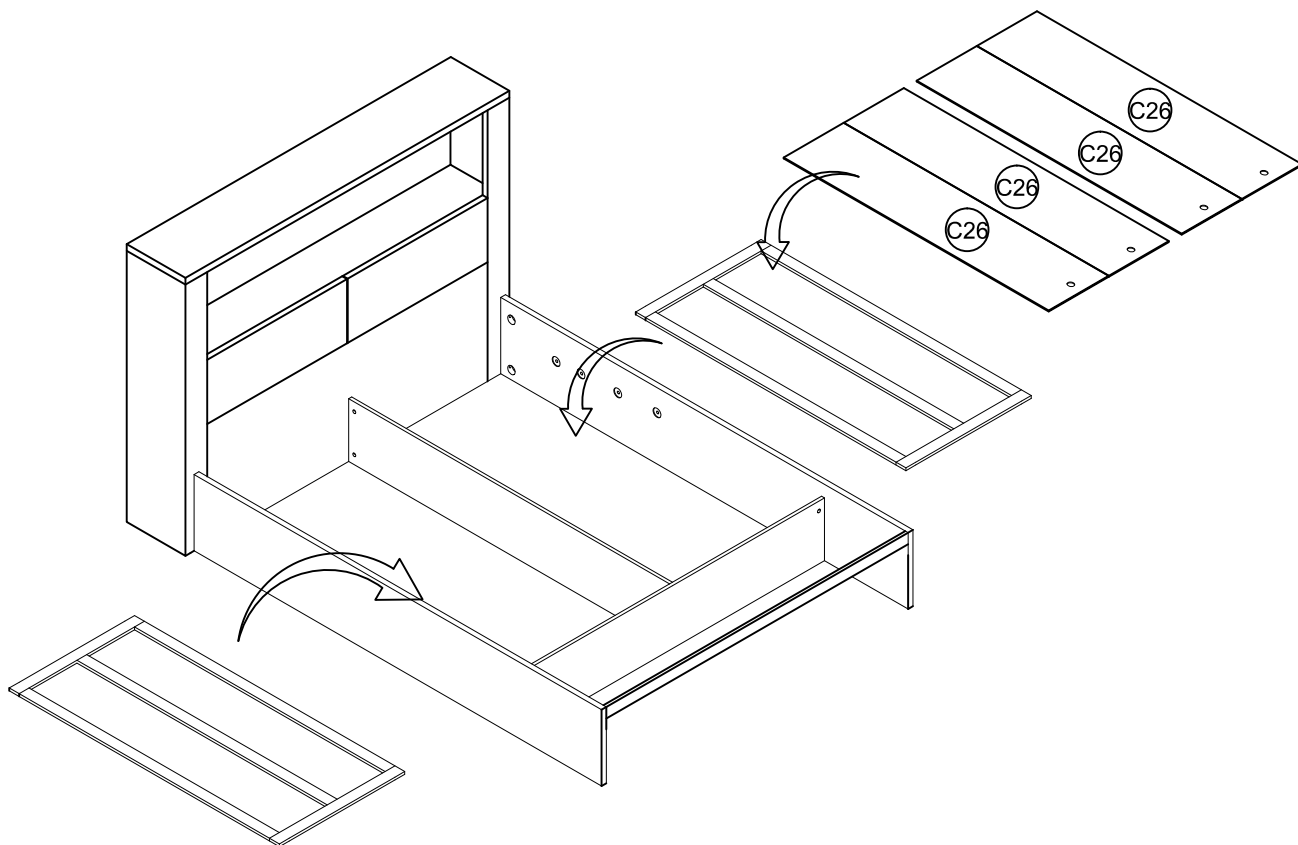


Step 11: Use Phillis Head Screwdrive to attach Panel(C18,C19) to the Panel(C20) with Cam Lock(A).

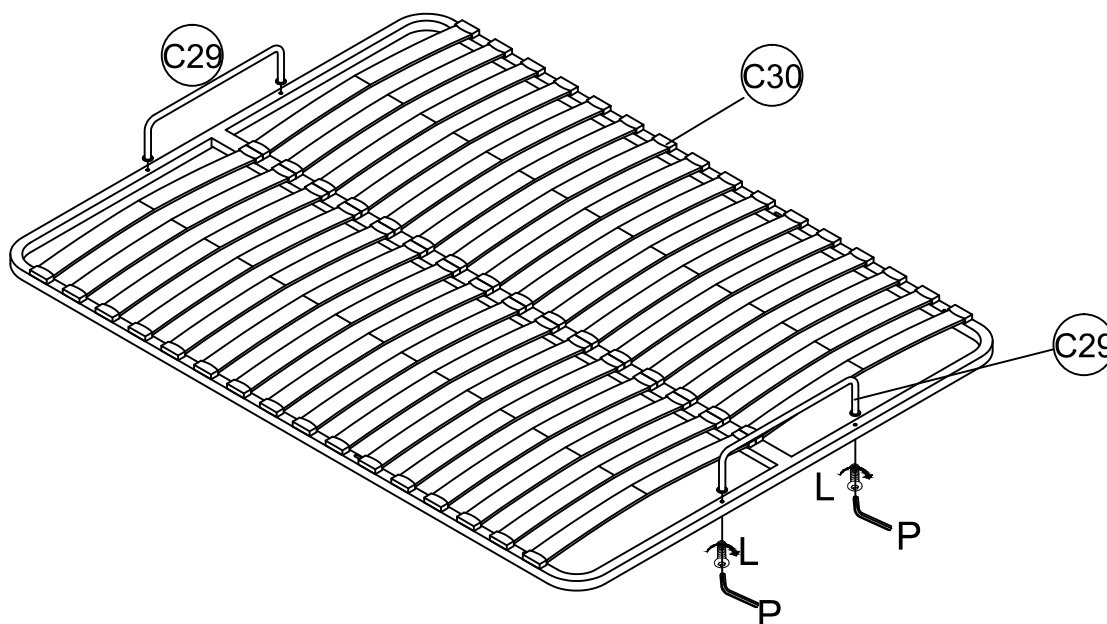


X2

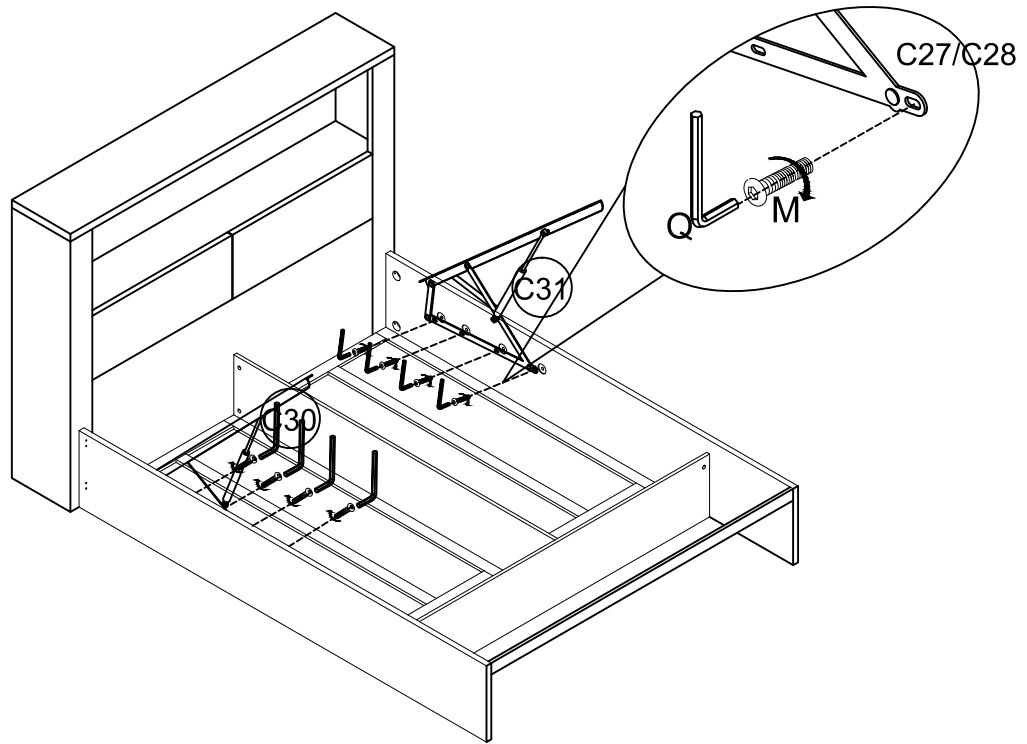
Step 12: Insert the Panel(C18,C19,C20) to the Bottom.Insert the Bottom Panel(C26) on the Panel (C18,C19,C20).



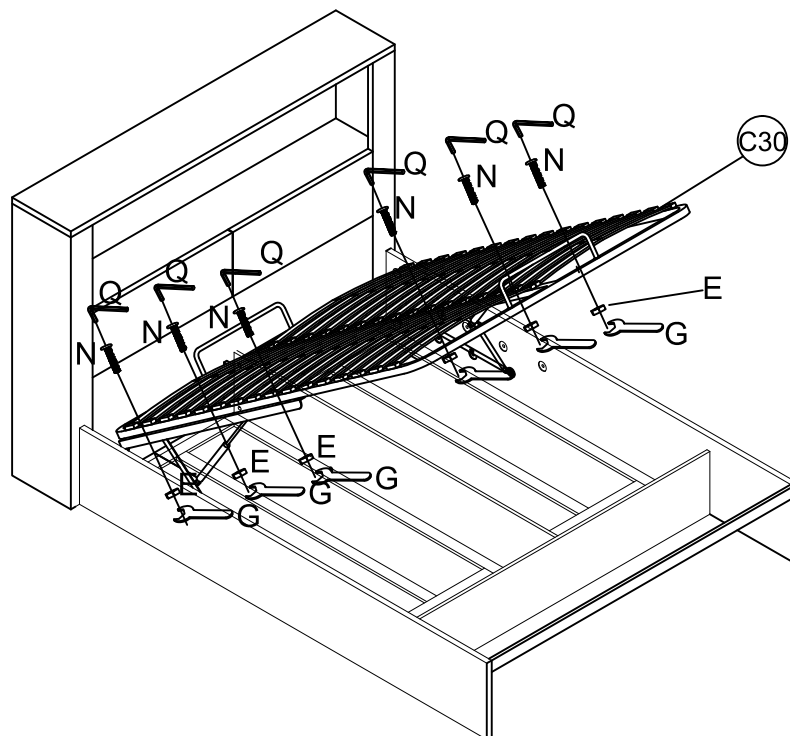
Step 13: Use Hex Key(P)to assemble the Lifting Handle(C29)to the Slat(C30) with Bolt(L).



Step 13: Use Hex Key(Q) to assemble the Gas(C30,C31)to the Siderail (C11,C12) with Bolt(M).

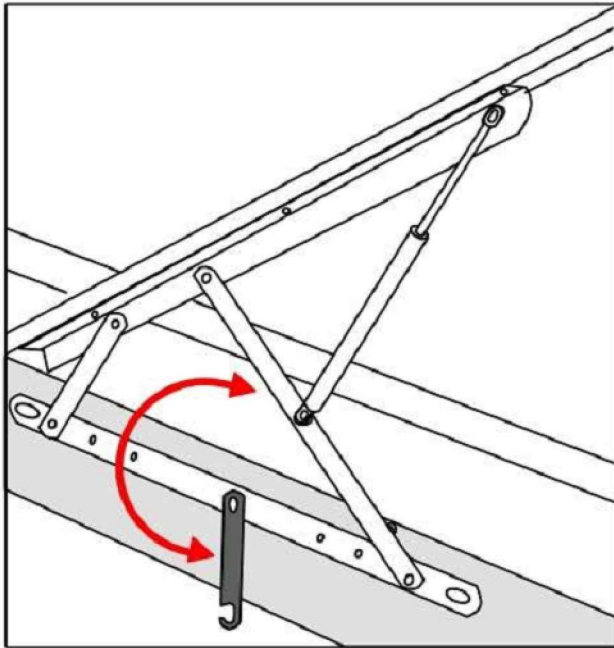


Step 14: Use Hex Key(Q)and Wrench(G)to assemble the Gas(C31,C32)to the Slat(C30)with Bolt (N)and Hexagonal Nuts(E).

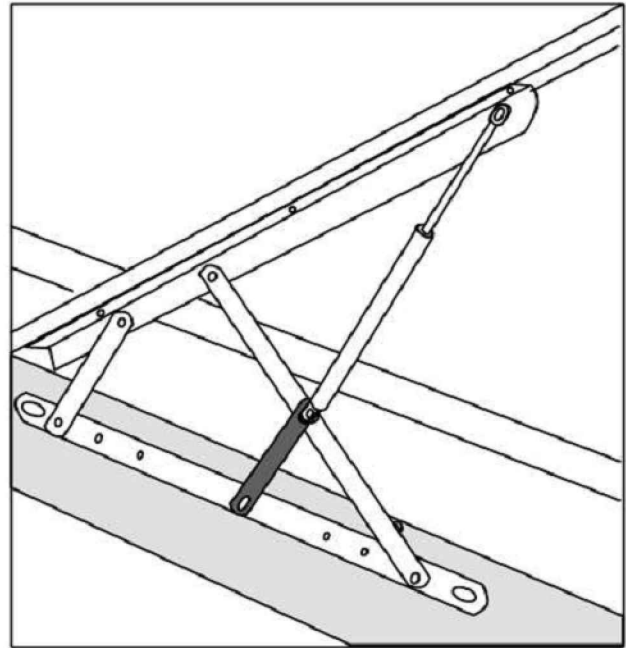


SAFETY CAUTION WARNING

Please always lock the safety lock mechanism while the bed base is in lifting position.
Unlock it before you want to put the bed base back into normal position.

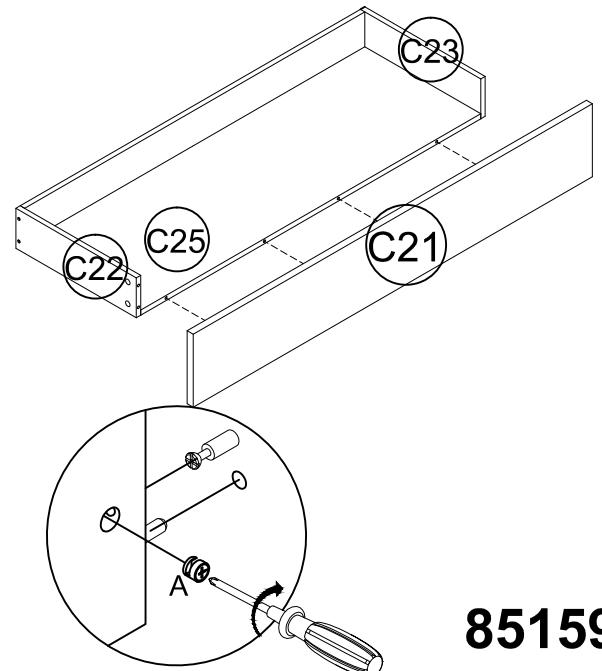
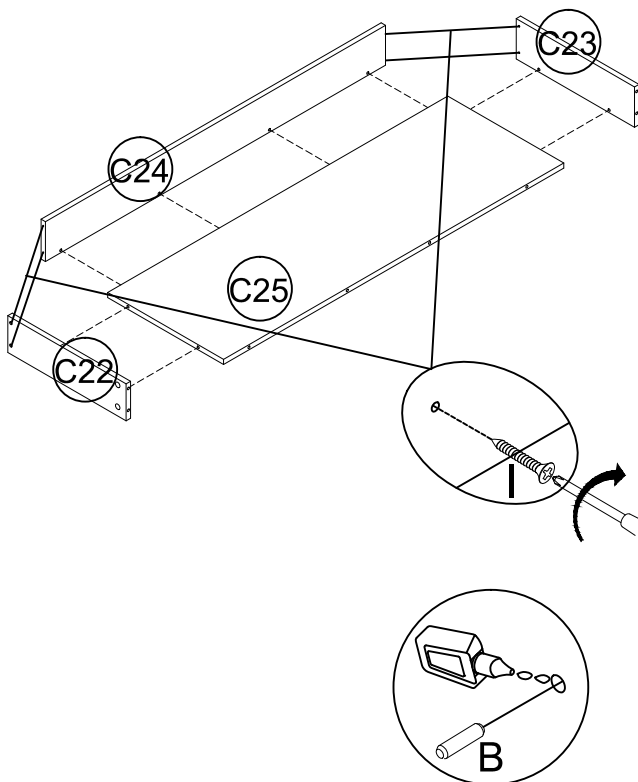


UNLOCK POSITION

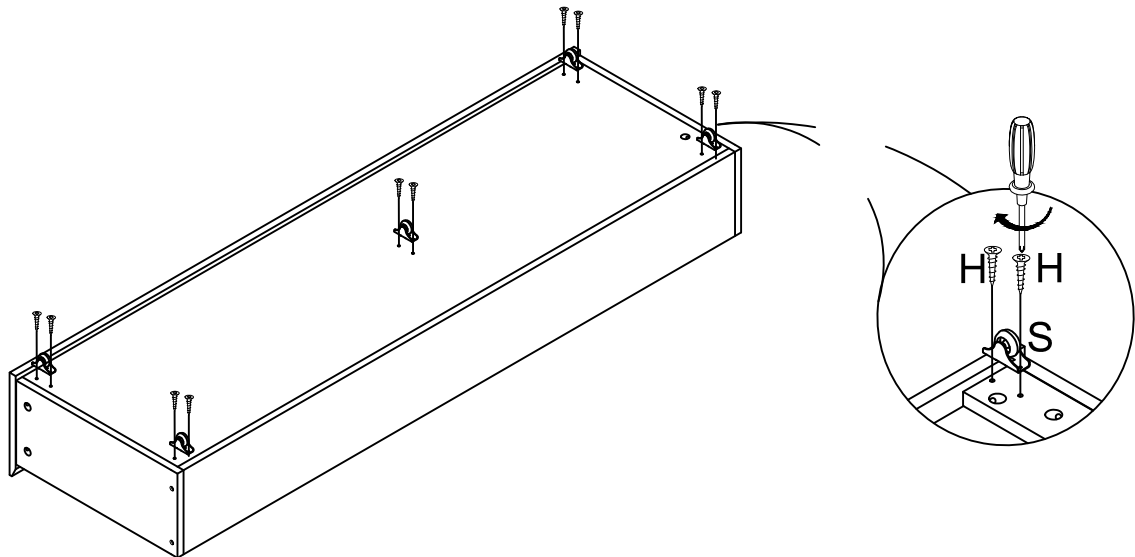


LOCK POSITION

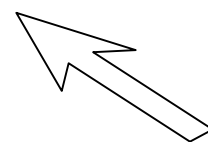
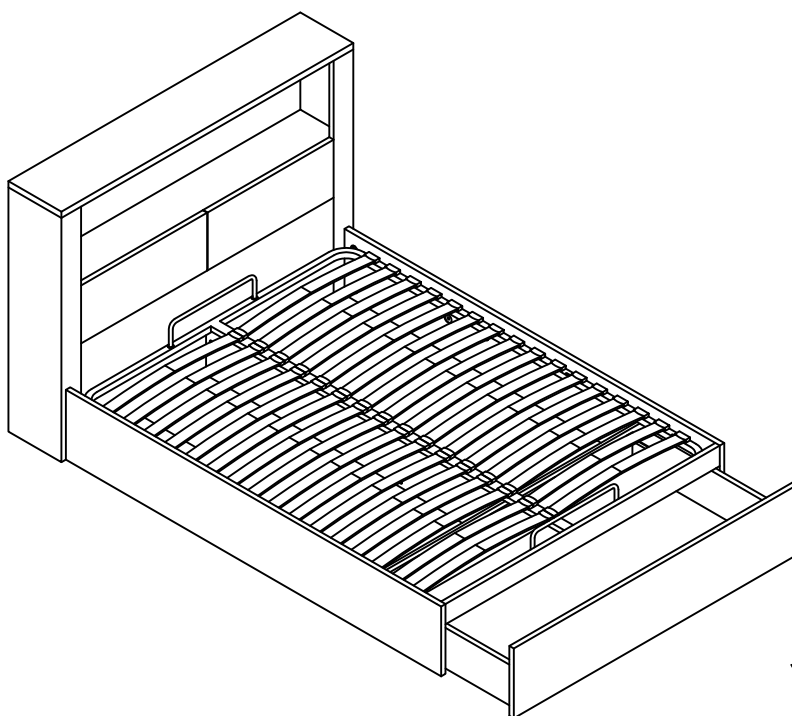
Step 17: Use Phillips Head Screwdriver to attach Drawer Bottom Panel(C25) to the Drawer Side Panel (C22,C23) and Drawer Panel(C24)with Screw(I).assemble Drawer Front Panel(C21) to the Panel (C22,C23,C25) with Cam Lock(A).Dowel with Glue(W).



Step 18: Use Phillips Head Screwdriver to attach Wheel(S) to the Drawer Bottom Panel(C25) with Screw (H).

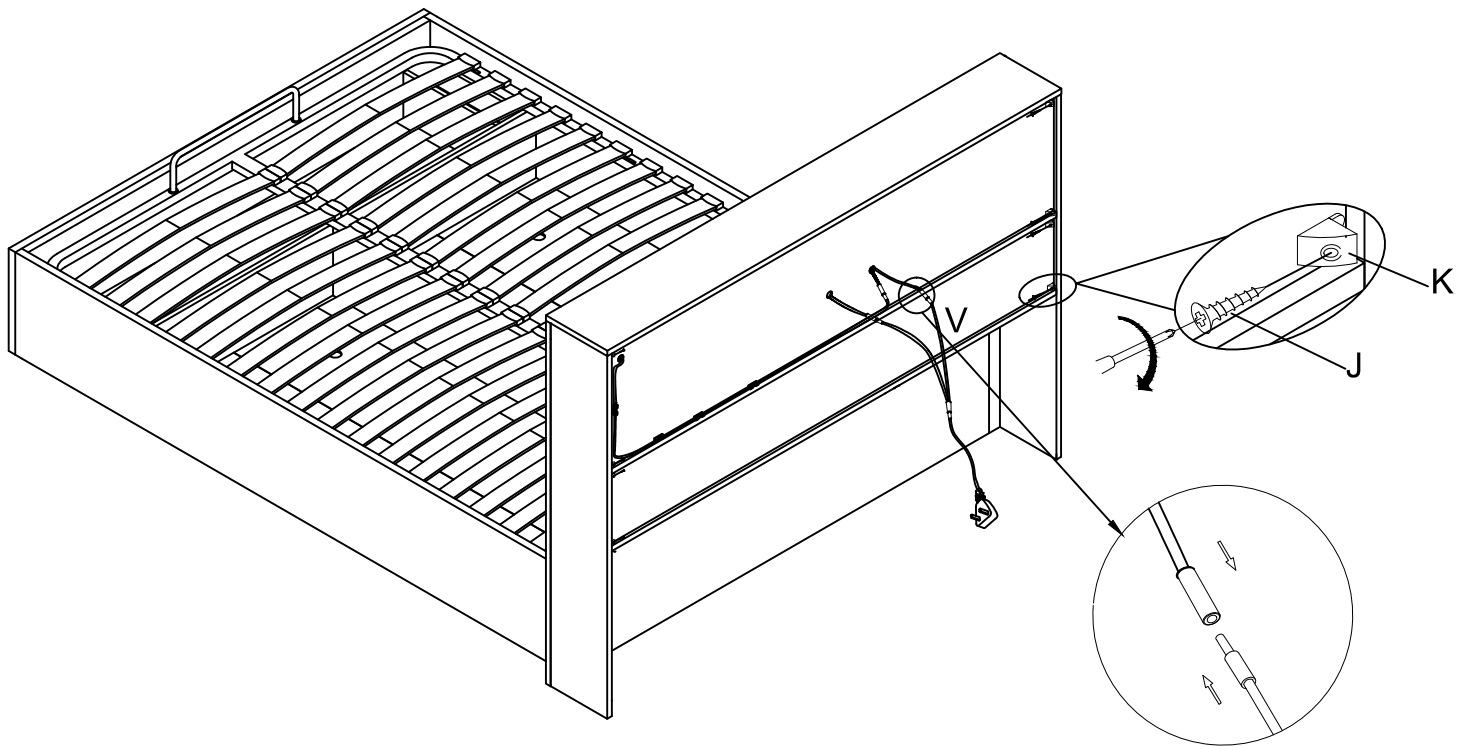


Step 19: Insert the Drawer to the Footboard.



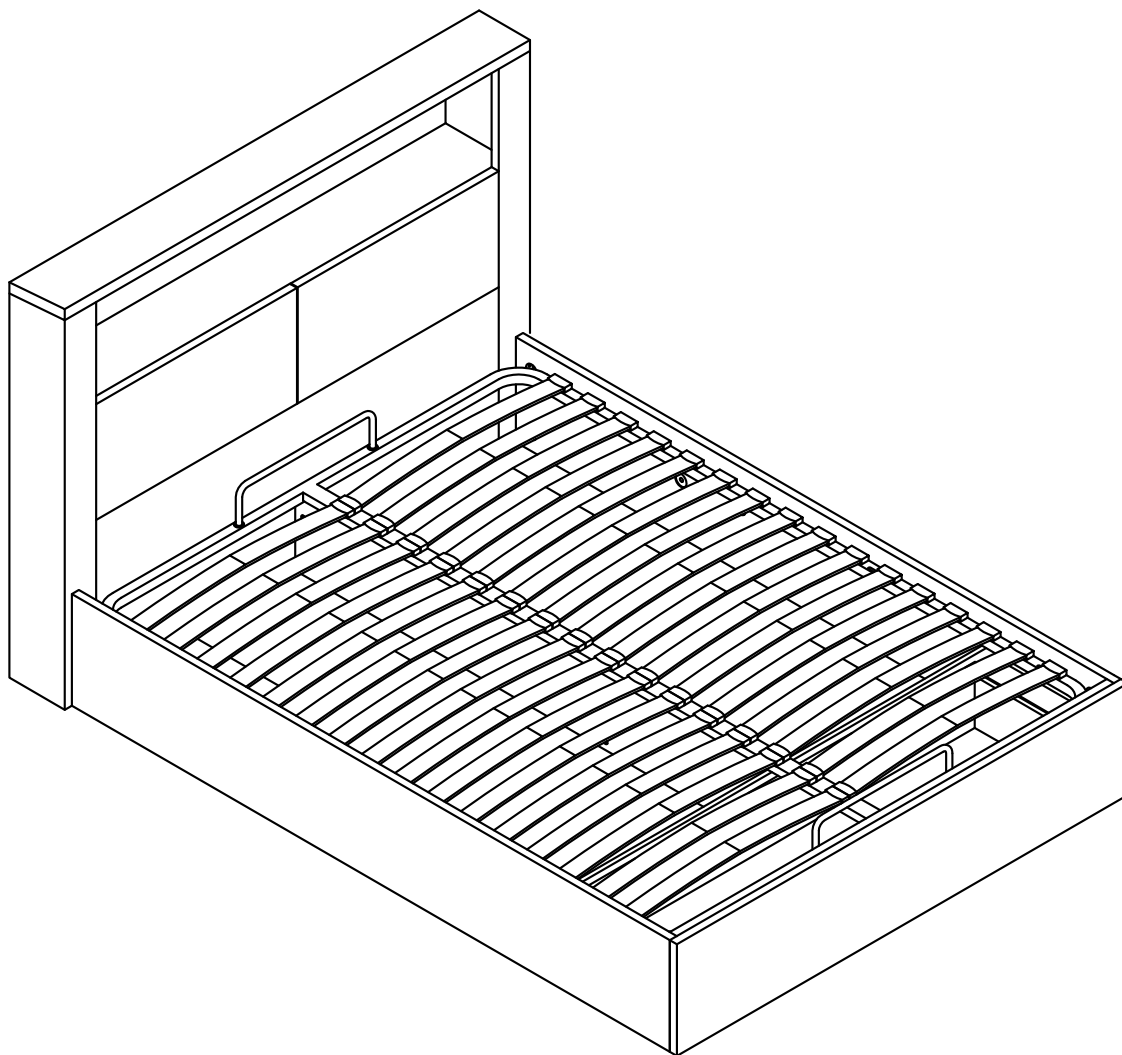
85159

Step 20: Use a Phillips Head Screwdriver to assemble Connector(K) to the Back Corner with Screw(J). Connect the Power Adapter(V) to the Led Button(Z).



Assembly is complete

WARNING
PINCH HAZARD: BEWARE OF YOUR FINGERS WHEN LIFTING AND LOWERING THE MECHANISM



IMPORTANT NOTE:

Once the bed is positioned and the support legs are adjusted to touch floor , the slats can then be laid down and secured before putting on the mattress. **DO NOT** push or pull the bed if there is a need for re-positioning as this may result in broken support legs for the centre rail.

General Product Care

To protect your furniture, we suggest the following:

- Avoid placing your furniture in direct sunlight.
- Do not place furniture directly under windows.
- Do not place sharp materials (knife, fork, etc.) directly onto your furniture as sharp material may scrape and damage the finish.
- Do not place material with high temperature directly onto the surface of your furniture.
- Clean up spills quickly. Water left over a prolonged period of time may cause damage. Alcohol, perfume, nail polishes, aftershave and some medication may cause severe finish damage if not cleaned immediately.
- Use a clean, soft, dry, lint free absorbent cloth to clean your furniture. Do not use any detergent as they may contain ingredients that may react and damage the finish.